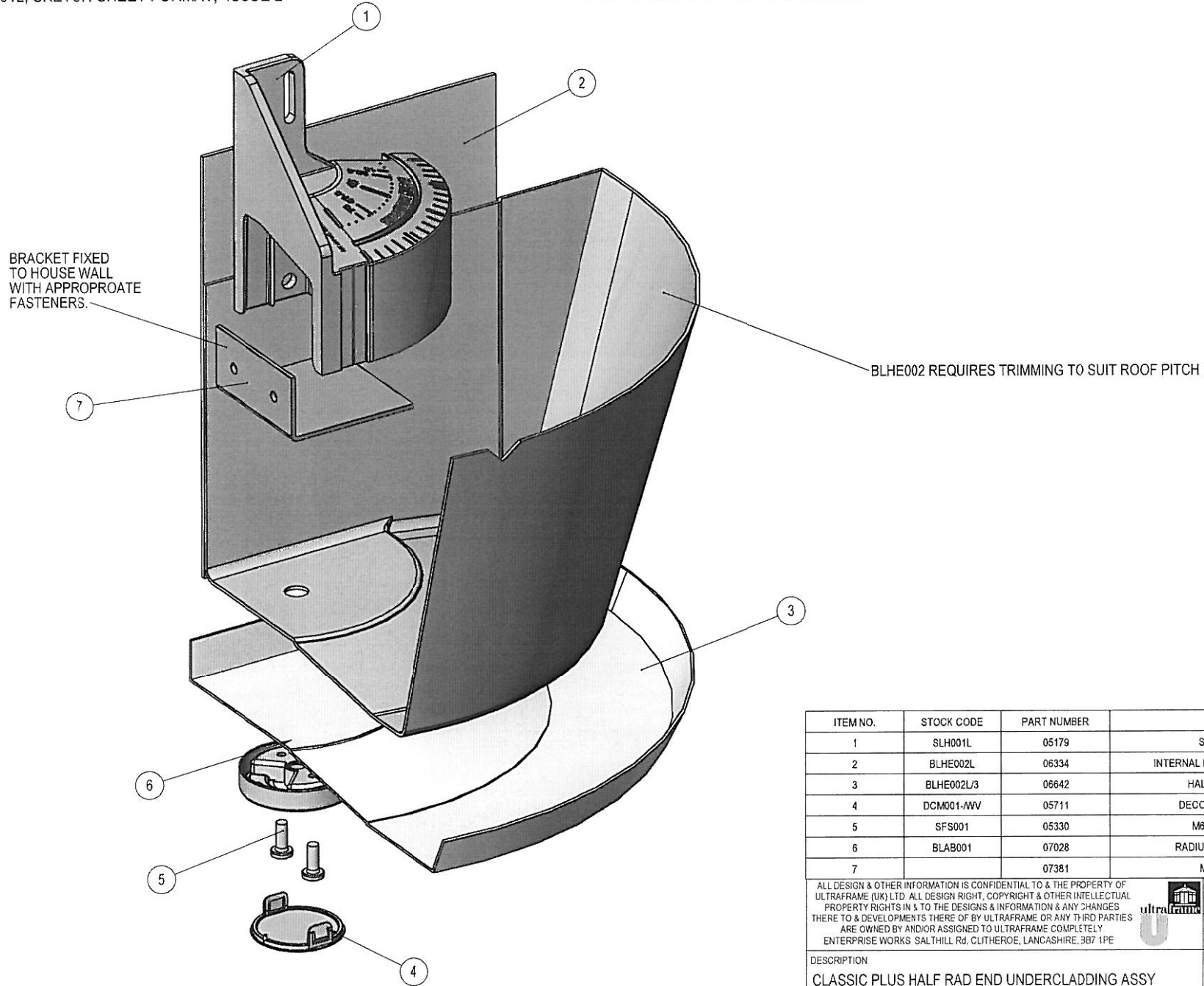



**CAD MODEL IS MASTER**

CHANGE No	REV.	AUTHOR
-----------	------	--------



ITEM NO.	STOCK CODE	PART NUMBER	DESCRIPTION	QTY
1	SLH001L	05179	SPEEDLOCK HUB - LH	1
2	BLHE002L	06334	INTERNAL HALF RADIUS LEFT ASSEMBLY	1
3	BLHE002L/3	06642	HALF RADIUS BASE PLATE	1
4	DCM001-WV	05711	DECORATIVE ENDCAP INSERT	1
5	SFS001	05330	M6 X 16 TAPTITE SCREW	2
6	BLAB001	07028	RADIUS END ADAPTOR BUTTON	1
7		07381	MOUNTING BRACKET	1

ALL DESIGN & OTHER INFORMATION IS CONFIDENTIAL TO & THE PROPERTY OF ULTRAFRAME (UK) LTD. ALL DESIGN RIGHT, COPYRIGHT & OTHER INTELLECTUAL PROPERTY RIGHTS IN & TO THE DESIGNS & INFORMATION & ANY CHANGES THERE TO & DEVELOPMENTS THERE OF BY ULTRAFRAME OR ANY THIRD PARTIES ARE OWNED BY AND/OR ASSIGNED TO ULTRAFRAME COMPLETELY. ENTERPRISE WORKS, SALTHILL Rd, CLITHEROE, LANCASHIRE, B87 1PE


 DRAWN BY **CRAIG SMITH** DATE CREATED **07/08/2009**  
 SCALE **1:2** STATUS **DEV**

DESCRIPTION	DRAWING No	STOCK CODE	REV
<b>CLASSIC PLUS HALF RAD END UNDERCLADDING ASSY</b>	<b>07337</b>		<b>-.04</b>

MODEL NAME 07337 / CONFIG NAME Default SHEET 1 OF 1. SIZE A3 11/08/2009